

Relay Module

ELK-912B & 912B-6

The ELK-912B is a heavy duty relay module featuring 12 or 24Volts D.C. selectable operation, SPDT Form "C" contacts, low current draw, voltage input LED, and high quality large cross-head terminals. It is ideal for general purpose switching of devices or high current loads. Also available in a 6 pack (ELK-912B-6) which is packaged as multiple relay modules grouped on a pre-scored break-off circuit board.

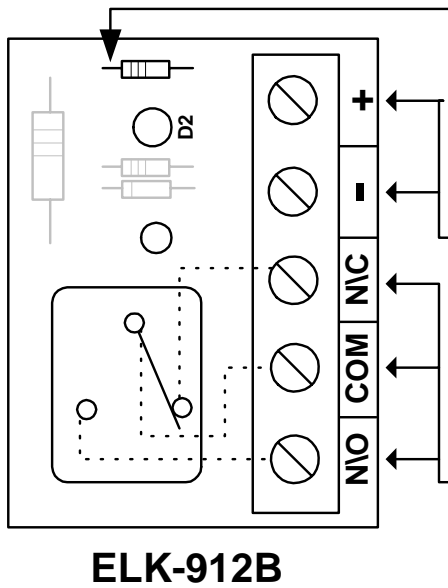


Features

- High Quality Cross-head Terminals.
- 12 or 24 Volts D.C. Selectable Operation.
- Low Current Draw.
- Voltage Input LED.
- Form "C" Dry Contacts.
- Great For General Purpose Switching.
- Small, Compact Size.
- Double Sided Foam Tape Provided For Mounting.
- Packaged in Reusable Poly Storage Box.
- Lifetime Limited Warranty.

Specifications

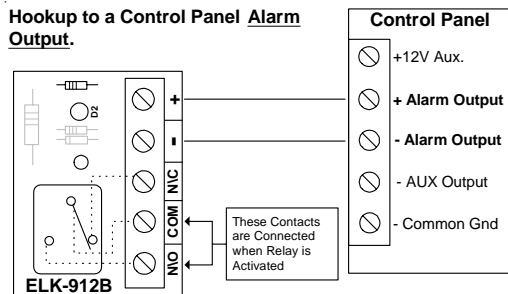
- Operating Voltage: 12 or 24 Volts D.C. Nominal.
- Current Draw: 35mA, triggered (relay on).
- Relay Contacts: Form "C", 7A @ 30 VDC, 10A @ 125 VAC.
- Min. Pull-in Voltage: 9 VDC on 12V setting, 19 VDC on 24V setting.
- Size: 2" X 1.5" (51mm X 38mm) Ea..



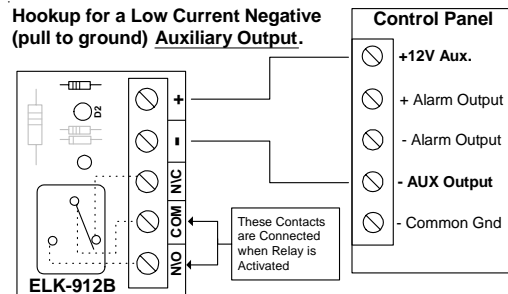
For 24 Volt Operation cut this jumper and apply **24 Volts DC** to the Power Terminals.

Power Terminals: (trigger input)
Relay Coil is energized by 12VDC @35mA or 24VDC @30mA when the 24V Operation Jumper is Cut

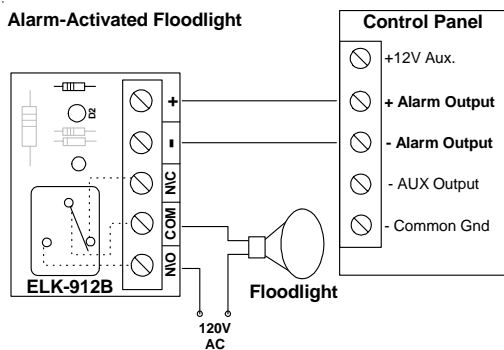
Relay Contacts:
When Relay is Off (no trigger) COM and N/C are internally connected.
When Relay is On (triggered) COM and N/O are internally connected.



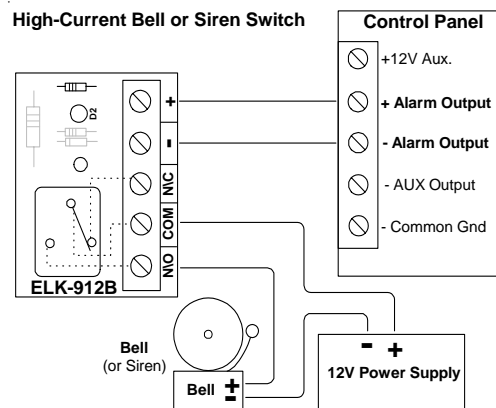
Example 1: This example works for a positive or negative switching alarm output. Connect the ELK-912B "+" terminal to the alarm output positive terminal, connect the ELK-912B "-" terminal to the alarm output negative terminal.



Example 2: Used to switch higher current loads from a Low Current Negative Auxiliary Output. Connect the ELK-912B "+" terminal to a constant power supply positive output terminal, connect the ELK-912B "-" terminal to the auxiliary output negative terminal.



Example 3: Floodlight activates whenever control panel is in alarm



Example 4: ELK-912B used to switch a high-current siren or bell from separate power supply.