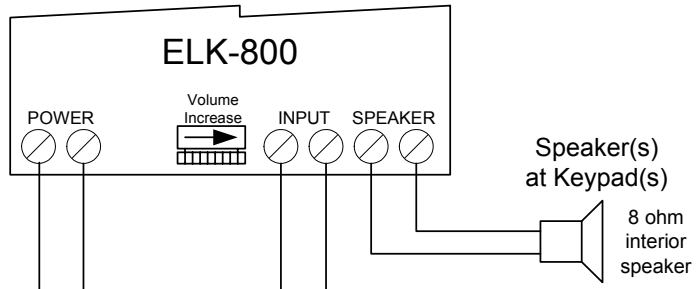
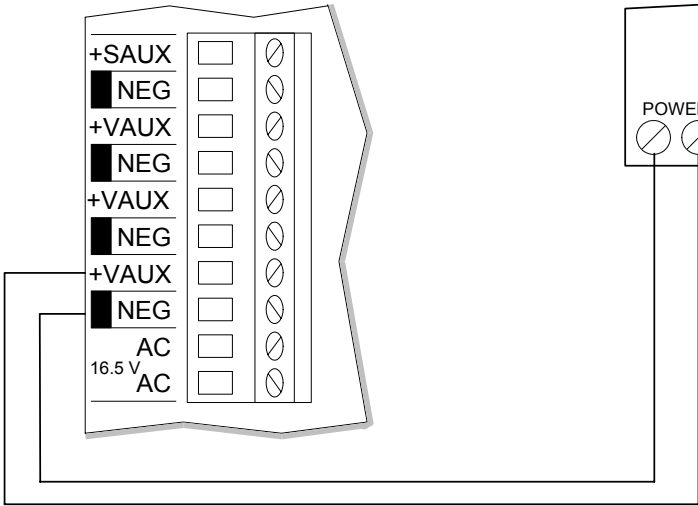
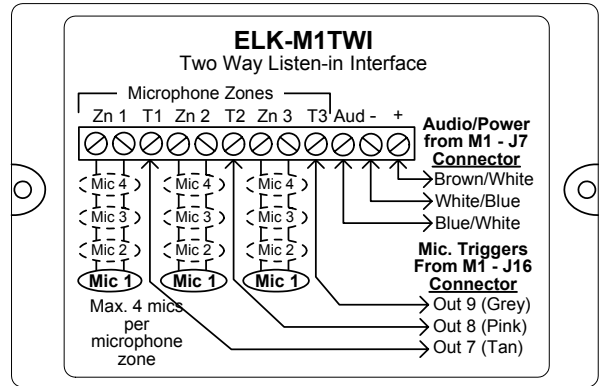


M1 Control
(Left Side Terminals)

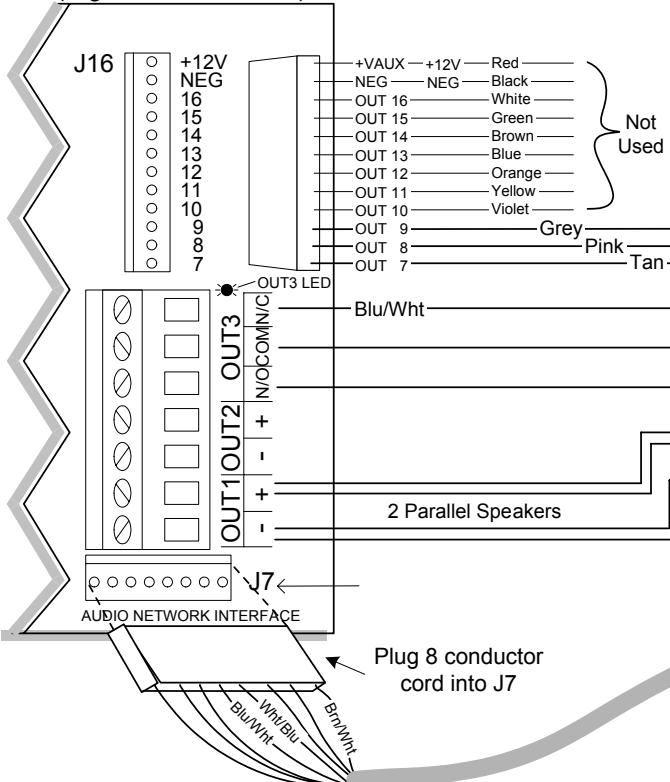


Recommended Wire

Microphones - 22 to 24 gauge UTP (unshielded twisted pair)
Speakers - 18 to 20 gauge



M1 Control
(Right Side Terminals)



Insulate unused wires.

