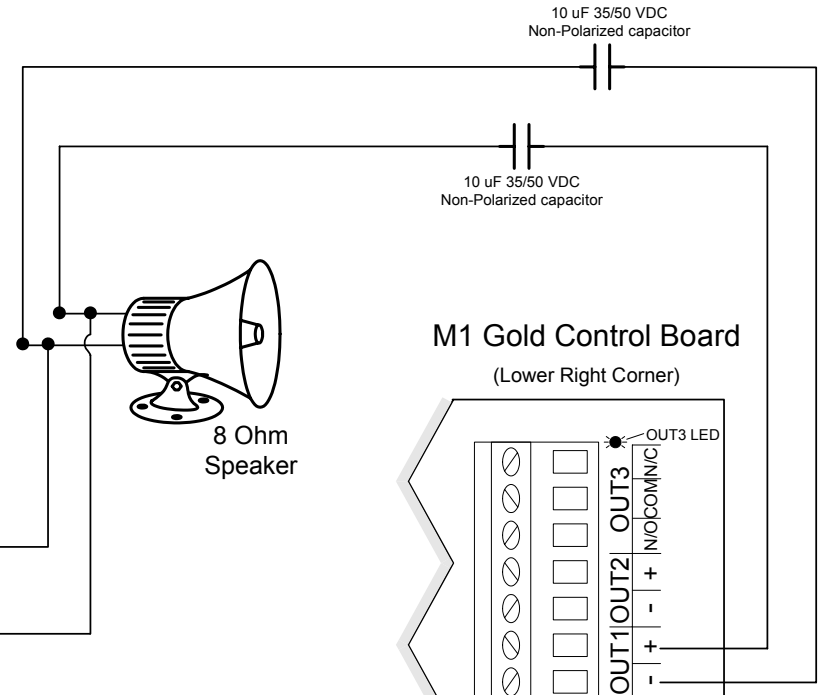
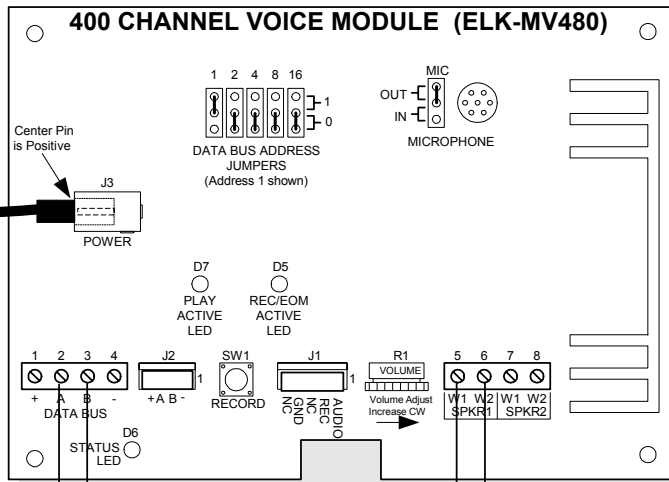


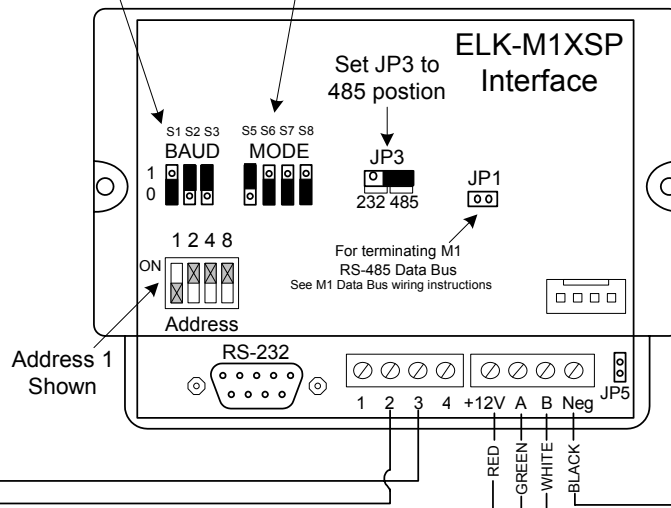
**+12 VOLT
DC PLUG IN
POWER
SUPPLY**

USE A FILTERED
AND REGULATED
12 VDC @ 1.5A
POWER SUPPLY
(ELK-P1216
RECOMMENDED)



Set Baud to
19,200

Set Mode Jumpers
for Serial Port
Expander



M1 Gold Control Board
(Lower Right Corner)

