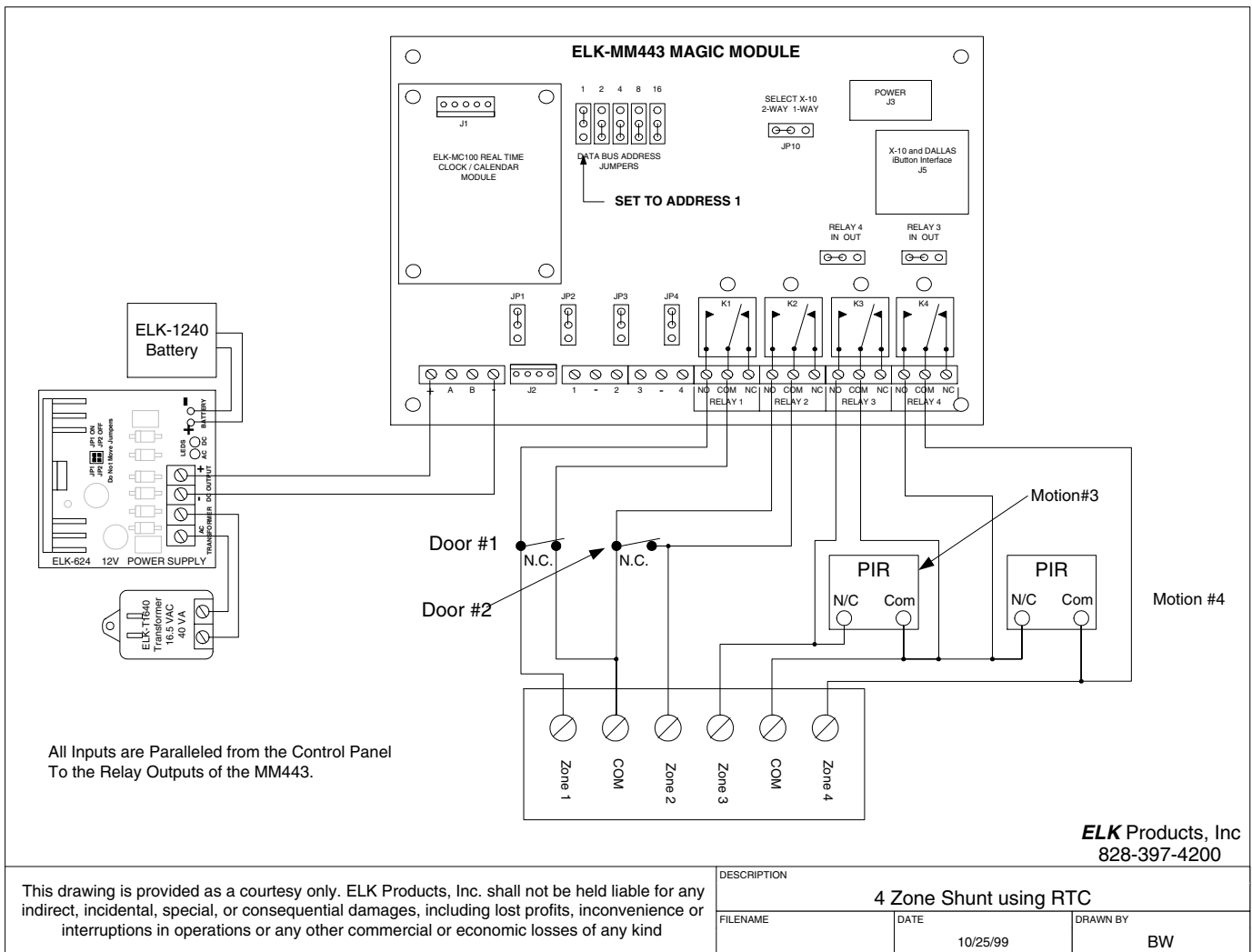


# 4 Zone Shunt

This application uses an ELK-MM443 with the Clock/Calendar accessory module(ELK-MC100) programmed to shunt 4 security zones between the hours of Friday 12:00 noon through Sunday 12:00 midnight and operates in the following manner:

Every Friday at 12:00 NOON, Relays 1-4 on the MM443 will turn ON and SHUNT the appropriate zones to the control panel. Opening of the Doors or activation of the Motion Detectors will NOT be detected by the security control panel.

Every Sunday (Saturday 11:59.59pm) Midnight, Relays 1-4 will turn OFF and allow normal operation of the Door contact switches and the Motion Detectors. Opening of the Doors or activation of the Motion Detectors will alert the security control panel of a zone violation.



**Disclaimer:** These programs are provided for reference only. ELK Products, Inc makes no warranties or representations about the accuracy or completeness of these programs. Reasonable steps have been taken to ensure the accuracy of the information contained in these sample programs, but they could include inaccuracies or typographical errors. By your use of these programs you agree that ELK Products shall not be liable for any such inaccuracies or errors. ELK Products may make improvements and/or changes in these programs at any time. Neither ELK Products nor any of its affiliates shall be liable for any direct, incidental, consequential, indirect or punitive damages arising out of the use of any content from these programs.