

VOLTAGE OUTPUT CONVERSION BOARD

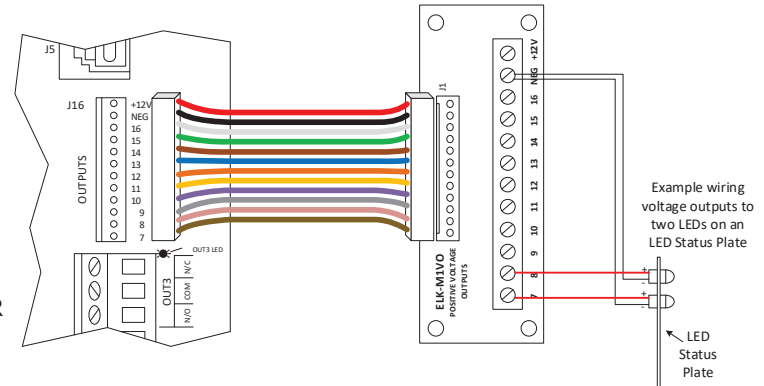
ELK-M1VO

Converts 12 conductor ribbon cable connections to screw terminal connections.

- Compatible with positive voltage outputs of M1 controls and M1XOVR output expanders
- Simplifies connections for quicker and neater installations
- Mounts on self-adhesive feet
- Includes 6" ribbon cable
- Dimensions: 1"W x 3"H x .625"D

Instructions

1. Power down the M1 control.
2. Use supplied 6" ribbon cable to connect the M1VO to the J16 connector of the M1 control or the J3 connector of the M1XOVR
3. Make desired connections to the M1VO terminals
4. Power up the M1 Control.



NOTE: When using the ELK-M1VO with an ELK-M1XOVR output expander, terminals 7 & 8 of the M1VO are unused. The first voltage output of the M1XOVR is connected to terminal 9.



PO Box 100
Hildebran, NC 28637
Ph 828-397-4200

3266 US Hwy 70 West
Connelly Springs, NC 28612
Fax 828-397-4415

<https://www.elkproducts.com>

Printed in USA
5/24/18