

* Try these other fine ELK products *

Magic Module Series

- MM443 Magic Module, 4 Input, 4 Output, Programmable
- MM447 Automation Controller w/Voice, Caddx Interface
- MV480 Recordable Voice Module, 400 Channels
- MKHOME1 Home Control Kit for Caddx NX Controls
- MK400 Starter Kit, Includes MM443 & MK485
- MK485 Programming Kit, MB485, Cables, Software
- MK410 X-10[®] Transceiver Kit, Programmed MM443
- MK420 iButton™ Access Kit w/ MM443, MA100, MA101
- MA100 iButton™ 'Touchkeys' Reader & Interface Pack
- MA101 iButton™ 'Touchkeys', 10 pcs w/keyring holders
- MA290 Proximity / Wiegand Data Interface to MM443
- MB485 Data Bus Interface, RS232 to RS485
- MC100 Clock / Calendar Module for MM443
- ML8 Link Interface to Caddx NX Controls
- MT100 Temperature Sensor Module for MM443
- MM220 Magic Module, 2 Input, 2 Output, Programmable

Rust Free Sirens / Speakers

- 1RT Speaker & Stainless Steel Enclosure
- 150RT Siren & Stainless Steel Enclosure
- 155RT Voice Siren in Stainless Steel Box

Speakers & Sirens

- 44 Speaker, 30 W, 8 Ohm Compact Horn
- 45 Siren, Compact Horn, 118db
- 55 Voice Siren, Compact Horn
- M120 Siren, Single Tone, 107db, Mini Horn
- SP15 Speaker, 15 watt, Small Horn
- SP30 Speaker, 30 watt, Horn
- SP35 Speaker, 20 watt, Interior
- SP40 Speaker, 40 watt, Horn
- SS15 Siren, Dual Tone, 110db, Horn
- SS30 Siren, Dual Tone, 120db, Horn
- SS36 Siren, Dual Tone, 105db, Interior

ECHO™ Sirens & Speakers

- 73 ECHO Speaker, 20 Watt, Interior
- 74 ECHO Dual Tone Siren, Interior
- 75 ECHO Voice Siren, Interior
- 870 ECHO Speaker, Self Amplified

Siren & Voice Drivers

- 100 High Performance Siren Driver
- 110 Voice Siren Driver, English & Spanish
- 120 Recordable Voice Module and Siren
- 124 Recordable Voice Module, 4 Channels

Surge Suppressors

- 950 Surge Suppressor, Phone & Power Line
- 951 Surge Suppressor, Phone - Single Line
- 955 Surge Suppressor, Phone - Dual Line

Relay Modules

- 912 Compact Relay, 12 Vdc, SPDT
- 912B Heavy Duty Compact Relay, 12/24 Vdc, SPDT
- 924 Sensitive Relay, 12/24 Vdc, DPDT
- 941 Alarm Output Director
- 960 Delay Timer Relay, 1 sec. to 60 min.

Power Products

- 1240 Battery, Lead Acid, 12v, 5Ah
- 1270 Battery, Lead Acid, 12v, 8Ah
- 12100 Battery, Lead Acid, 12v, 12Ah
- 12170 Battery, Lead Acid, 12v, 18Ah
- 12250 Battery, Lead Acid, 12v, 25Ah
- P112 12 Volts DC, 1 Amp Power Supply w/Enclosure
- P124 24 Volts DC, 800mA Power Supply w/Enclosure
- P1216 12 Volts DC, 1.5 Amp Power Supply
- P412 12 Volts DC, 4 Amp Power Supply
- P624 Power Supply & Battery Charger
- PD9 Power Distribution Module
- 965 Low Battery Cutoff and Power Switch
- TRG1640 Transformer, 16.5VAC @ 40 VA
- TRG2440 Transformer, 24VAC @ 40 VA

Accessories

- 129 Computer Sound Card Interface
- 800 Audio Amplifier, 10 Watts
- 900-2 "B" Connectors, Unfilled, 500 pcs
- 902-2 "B" Connectors, Gel filled, 500 pcs
- 980 Telephone Line Fault Monitor
- 998 Warning Alarm System Decals
- 999 Double Sided Tape
- SL1 Strobe Light, 4 colors available
- WK1 Wall Mount Kit for SL1 Strobes

For more information contact your local Distributor or:
 ELK PRODUCTS, INC 828-397-4200 FAX 828-397-4415
<http://www.elkproducts.com> Email: info@elkproducts.com
 PRINTED IN USA

Voice Recordable Annunciator Module ELK-124

APPLICATION:

The **ELK-124** is a 4 channel custom **recordable voice annunciation module**. Recordable channels provide 30 seconds of message each, or they may be combined into a maximum of 120 seconds on a single channel. The channels can be configured to play once or to repeat endlessly.



Voice Recordable Annunciator Module ELK-124



Four (4) Channels, 30 Seconds Each

FEATURES:

- Four (4) Recordable Voice Channels: Thirty (30) seconds of message per channel, or up to 120 seconds on one channel.
- Recordings stored in nonvolatile memory
- Positive voltage triggering. Channel 1 allows Neg. (-) triggering via the -C1 input.
- All channels accept momentary triggers
- Selectable 1 shot or continuous play modes
- Built-in condenser microphone for recording
- LED Light for Record indication
- Adjustable speaker volume and current draw
- Powerful 24 watt audio amplifier
- Fused over current protection
- PC sound card interface connectors

SPECIFICATIONS:

- Operating Voltage Range: 11 to 14 Vdc
- Adjustable current draw: 1/4 to 1.8 Amps
- Low current triggers: 11 to 14 Vdc @ 30 mA
- Maximum sound level: 120 dB @ 1meter
- Maximum speaker loading: 4 Ohms
- Maximum message length: 120 seconds
- Size: 3" x 5" x 1.25" (76 x 127 x 32 mm)

Features and Specifications subject to change without notice.

The optional **ELK-129 Computer Interface** may be used to record sounds from a PC.



(828)397-4200 Voice
 (828)397-4415 Fax
<http://www.elkproducts.com>
 email: info@elkproducts.com
 PO Box 100 • Hwy. 70W • Hildebran, NC 28637 • USA

Instructions Printed On Inside

Installation and Operation

OVERVIEW

The four (4) voice message channels on the **ELK-124** are stored in non-volatile memory and may be re-recorded as needed. Each channel may be activated by a Positive (+) 11 to 14 Vdc input supplied from a control panel or other switched source. Channel 1 features a Neg. (-) trigger via the **-C1** input as explained in these instructions.

CAUTION: Use of the ELK-124 as the primary annunciator for emergency applications is not recommended. Supplementary or secondary annunciator use is subject to the approval of the local Authority Having Jurisdiction.

INPUT CONNECTIONS

[+12V] Connect to positive (+) side of a 12Vdc power source. This input is required ONLY if the trigger sources for channels 1 thru 4 are current limited to 30 mA or less, OR if the **-C1** input trigger is being used. Nominal operating range is 11 to 14Vdc.

[-NEG] Connect to negative (-) of a 12 Vdc power source.

[+C1] Channel 1 positive (+) 11 to 14 Vdc input trigger.

[+C2] Channel 2 positive (+) 11 to 14 Vdc input trigger.

[+C3] Channel 3 positive (+) 11 to 14 Vdc input trigger.

[+C4] Channel 4 positive (+) 11 to 14 Vdc input trigger.

[-C1] Channel 1 negative (-) input trigger. For control panels (such as DSC) that have a switched negative alarm output. Negative input triggering is only available for channel 1.

NOTE: To sequentially playback multiple channels, apply and maintain voltage triggers to multiple inputs.

[Speaker] Connect to 8 Ohm speakers. (Max. 4 Ohm load)

Jumper Options

JP1) MIC, for recording with the on board microphone.
PRG, for recording with ELK-129 computer interface.

JP2) 1SHOT, limits playback to one time per trigger. The trigger for the channel must then be removed and re-applied before the message will be played again.
REPEAT, message continuously plays back for as long as the input trigger is applied.



FIGURE 2 - Jumper JP2 Selections

JP3) DIS SW, disables the record pushbutton switch and prevents accidental recording.
EN SW, enables the record pushbutton switch.

JP4) GT30, enables record and playback of messages greater than 30 seconds with message recording overflowing** into the next channel.
30SEC, messages cannot overflow into the next channel and are limited to 30 seconds.

Activating The Voice Channels (Playback)

Continuous (maintained) trigger: Apply a positive (+) 11 to 14 Vdc to terminal **+C1** for Channel 1, terminal **+C2** for Channel 2, etc. The message will playback for as long as the power is applied, provided Jumper **JP2** ("1SHOT - REPEAT") is in the **REPEAT** position. See Figure 2.

Momentary trigger: Connecting terminals **+12V** and **Neg** to a constant (+) 11 to 14 Vdc power source allows channels to playback with a momentary trigger input voltage. Most current is drawn from the constant power source. Current draw from the input triggers will be approximately 30 mA. In the momentary trigger mode each message is played through to the end (one cycle).

** Voice Record Time

If jumper **JP4** is in the **30SEC** position, maximum record time is 30 seconds per channel. In the **GT30** position, messages longer than 30 seconds may be recorded by overflowing the message into the next available channel. When this occurs, the next "overflow" channel cannot be used as a recordable channel.

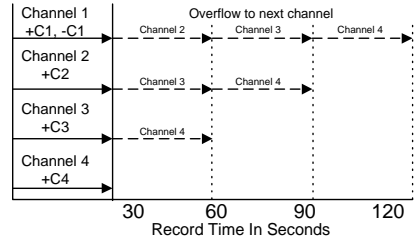


FIGURE 1 - MAXIMUM MESSAGE LENGTHS

WARNING: When a message exceeds 30 seconds and overflows into the next channel (Jumper **JP4** in the **GT30** position), any attempt to record a message into that next channel will automatically overwrite and destroy the overflow part of the previous channel's message.

Recording Voice Messages

Place jumper **JP1** in the **MIC** and jumper **JP3** in the **ENSW** position to enable the on-board microphone and record switch. Place jumper **JP2** in the **REPEAT** position to allow continuous loop playback. If the message is longer than 30 seconds, place jumper **JP4** in the **GT30** position.

Activate the desired channel by applying a positive (+) 11 to 14 Volts DC to the input (**+C1, +C2, +C3, or +C4**). The **ELK-124** will playback the message (if any) that was previously recorded. While the message is playing, press and hold the record switch **SW1**. When the Red **REC/EOM** LED comes on, speak clearly into the on-board microphone. Silently release the record switch at the end of the message. The new message will then playback. Remove the trigger input to stop the playback. To change the message or to correct a mistake repeat the above procedure. To record another channel apply the trigger voltage to that channel and repeat the above procedure. Messages longer than 30 seconds will overflow record into the next channel (provided **JP4** is set to the **GT30** position) but must be played back from the channel where the recording began.

Note: If the maximum record time is reached or exceeded, the red **REC/EOM** LED will start blinking to indicate that recording time has halted. If this happens, the trigger input must be removed and re-applied to start playback.

Volume and Current Adjust

Turning the **Volume Increase** knob clockwise increases the speaker volume. The louder the volume, the higher the current draw. The volume and current draw may be adjusted to match the current capability of the power supply. Maximum Current is approximately 1.2 amps with a 8 ohm speaker, 1.8 amps with a 4 ohm speaker load.

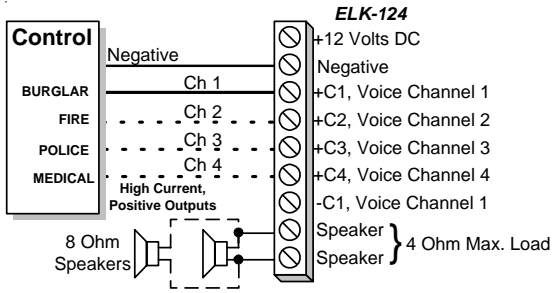
Computer Sound Card Interface (ELK-129)

The **ELK-124** may also be programmed using a personal computer equipped with a stereo sound card and the **ELK-129** Sound Card Interface. Plug the **ELK-129** into connector **J1** (**CH 1+2 PRG**) for channels 1 and 2, or connector **J2** (**CH3+4 PRG**) for channels 3 and 4. Place jumper **JP1** in the **PRG** position to disable the on-board microphone. Then follow the **ELK-129** Instructions.

INSTALLATION & HOOKUP EXAMPLES

Note: Dashed Lines Indicate Optional Connections.

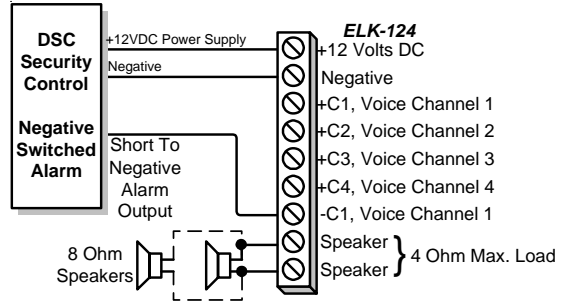
Security Control Panel with alarm outputs capable of up to 1.8 Amps output.



All current must be supplied from the Control Panel Outputs. Maximum current draw with a 8 Ohm speaker load is 1.2 Amps, or 1.8 Amps with a 4 Ohm load. The current may be reduced down to 1/4 amp by adjusting the volume lower.

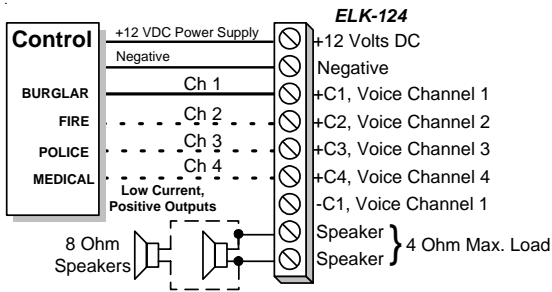
Single Alarm Output With Switched Negative:

Controls panels such as DSC provide an alarm output with a switched negative, requiring a special hookup.



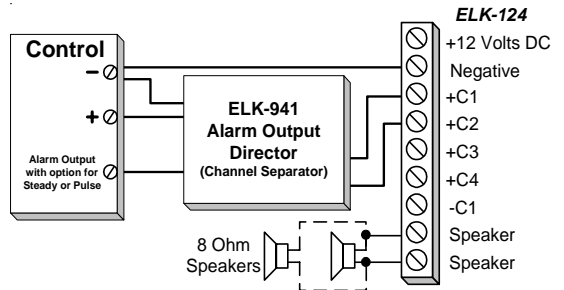
The **-C1** terminal internally activates Voice Channel 1 upon a continuous or momentary short to negative trigger input.

Low Current Trigger Method: Positive alarm outputs capable of 30 milliamps each



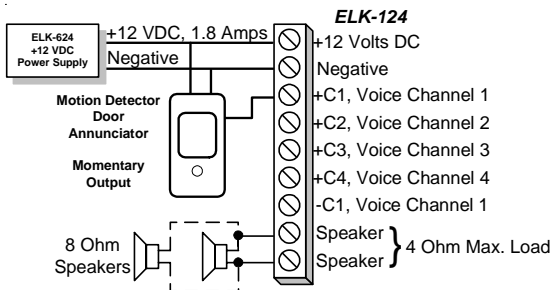
The operational current will be supplied from a constant +12 VDC auxiliary power source. The voice channel trigger terminals draw only 30 milliamps from the control alarm outputs.

Single Alarm Output Security Control with steady and pulsing alarm outputs



Separate trigger inputs can be received from a single output control panel by using the ELK-941 Alarm Output Director to separate the steady or pulsing outputs. See the ELK-941 Instructions.

Door Annunciator with single play message



Set jumper JP2 to "1Shot" position for single play.

A motion detector door annunciator may be connected to the ELK-124 to announce entry into a premise. The motion detector output should momentarily switch on +12 VDC at 30 milliamps when motion is sensed.

Example for Multiple Speaker Hookups

