

# Cell-Pack

## ELK-981

ELK-981IC Canada Version (Industry Canada)  
ELK-981K Incl. Battery & Transformer (US Only)

### Telephone Line Fault Monitor, Power Supply, and Enclosure

#### APPLICATION

The ELK-981 Cell-Pack is the ideal companion for Cellular Alarm Transceivers. It consists of a metal enclosure, 12 Volt DC power supply/battery charger, and a telephone line fault monitor. It supplies 1 Amp continuous current and 2.5 Amps peak for brief high current demands during radio transmission. The relay contacts from the line fault monitor can notify the alarm panel if the telephone line is cut, or they can be used to shunt the radio transceiver as long as the telephone line is good.

#### FEATURES

- Monitors Telco Voltage and Current
- Shunts Transceiver If Phone Line is Good
- Supplies 12 Volts D.C. Power
- Current: 2.5A Peak, 1A Continuous
- Heavy Duty Metal Enclosure

#### INSTALLATION

1. Mount transceiver in top right corner by sliding antenna thru rubber grommet and securing the bottom using hardware supplied. (see page 2)
2. Wire as per the Cellular Transceiver instructions.
3. Jumper JP1 on the ELK-981 board should be in the "5 Sec" position.
4. Jumpers T1 and R1 should be set in the "Telco Side" position.
5. Connect Transformer and Battery after all wiring is complete.

#### OPERATION

The ELK-981 monitors both the phone line voltage and current to detect a faulted line. This reduces the incidents of false detects. On-hook phone line voltage is around 48 VDC. This voltage drops when the phone is in use (Off-hook), however the telephone instrument is then drawing current on the line.

**The phone line is considered to be faulted whenever the line voltage falls below 3 volts and the line current draw is less than 18mA.**

STATUS LED Blinking ON once per second indicates a good phone line and testing is in process. The transceiver is shunted by relay closure across terminals COM and N/C.

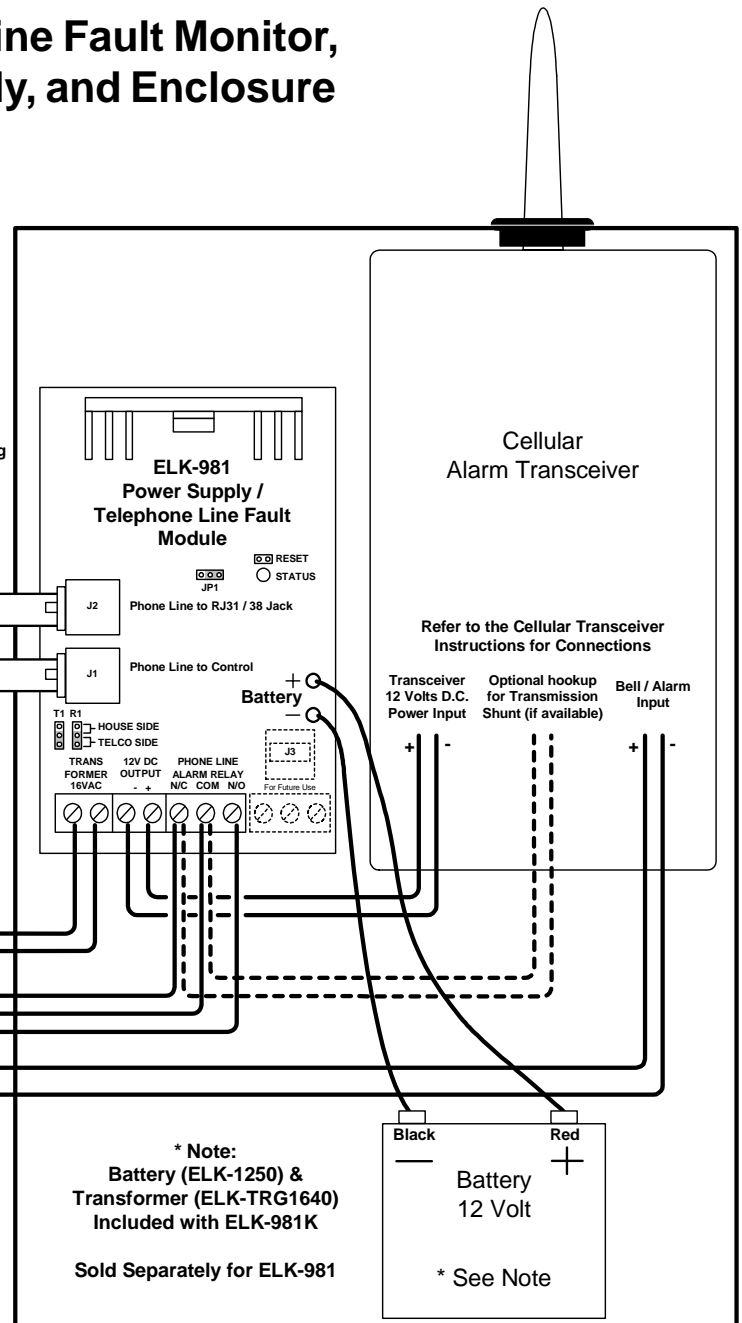
STATUS LED Steady ON indicates a phone line fault. The relay contacts open and the transceiver is free to transmit.

STATUS LED Predominantly On (blinks off ever 3 seconds) is a memory indication of a previous line fault. Reset by briefly shorting the two pins located above the Status LED. The Status LED will once again Blink On if phone line is good.

Features and Specifications subject to change without notice.

For Technical Support on the Numerex Technologies  
Digicell Transceiver, call 888-987-5465.

P.O. Box 100 • Hildebran, NC 28637 USA • 828-397-4200 • 828-397-4415 FAX  
http://www.elkproducts.com • email: info@elkproducts.com



This device complies with Part 68 of the FCC rules. FCC Reg. No. 5K6USA-25252-KX-N Ren No. 0.0B. It has been tested and found to comply with the limits for a Class B digital device, pursuant to Part 15 of the FCC rules.

The ELK-981IC meets the applicable Industry Canada Terminal Equipment Technical Specifications. This is confirmed by the registration number: 4343A-ELK981IC. The abbreviation, IC, before the registration number signifies that registration was performed based on a Declaration of Conformity indicating that Industry Canada technical specifications were met. It does not imply that Industry Canada approved the equipment. The Ringer Equivalence Number (REN) for this terminal equipment is 0.0B. The REN assigned to each terminal equipment provides an indication of the maximum number of terminals allowed to be connected to a telephone interface. The termination on an interface may consist of any combination of devices subject only to the requirement that the sum of the Ringer Equivalence Numbers of all the devices does not exceed five.

**ELK**  
PRODUCTS, INC.

### Transceiver Mounting Location for this Model



Slide Transceiver Over Mounting Plate to Secure it in Place



### Transceiver Mounting Location for this Model



Secure Transceiver with Washer and Nut Here

